

KM 420

self shifting & adjustable throat
& manually adjustable tines

Pallet Fork

The newest in our pallet fork line, the KM 420 incorporates the spring loaded centre of gravity style top arm with the versatility of various lower sections to accommodate your needs.
Handling loads up to 6000 lbs, the pallet fork is for use with loader cranes.



- For **handling palletized and unpalletized loads** of building material or stacked loads of concrete blocks.
- **Efficient handling of different loads** saves time and money due to self shifting slide in the top arm.
- **Travel can be preset** depending on centre of gravity of load to be picked up.
- **Compression springs** return slide to its original position after load is removed.
- **Throat height is easily adjusted** from 48 in to 90 in by lock pin.
- Tine spread can also be adapted **up to 40 in by lock pins**.
- **Easy tine adjustment** allows optimum load distribution.

Pallet Fork KM 420

Type	Load capacity (lbs)	Throat height (in)	Tine length (in)	Tine spread max (in)	Tine dimensions (width x height) (in)	Number of tines	Centre of gravity (in)	Self weight (lbs)
KM 420-4840-6000 - style A	6000	48-68	46	40	4 x 1.5	2	24	445
KM 420-6040-6000 - style A	6000	60-90	46	40	4 x 1.5	2	24	480
KM 420-4840-6000 - style B	6000	48-68	47	40	2 x 1.5	6	24	540
KM 420-6040-6000 - style B	6000	60-90	47	40	2 x 1.5	6	24	570
KM 420-4840-6000 - style C	6000	48-68	46	40	4 x 1.5	2	24	470
KM 420-6040-6000 - style C	6000	60-90	46	40	4 x 1.5	2	24	505
KM 420-4840-4500 - style D	4500	48-68	46	40	4 x 1.25	2	24	420
KM 420-6040-4500 - style D	4500	60-90	46	40	4 x 1.25	2	24	460

Please note:

- automatic compensation of centre of gravity functions with a minimum pack weight of about 1100 lbs
- additional tine spreads, throats, load capacities on request
- different styles of tines see p.18 „Different Styles of manually adjustable Tines“
- For safer handling of loads in higher elevation a protection trellis or protection chain should be used.

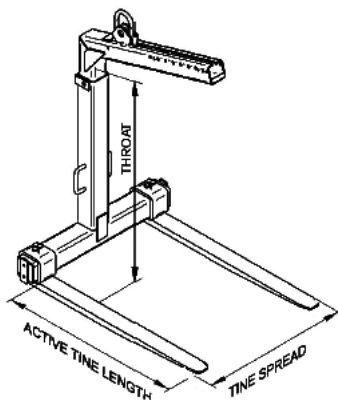
Definition of styles of tines

Type	Description	Number of tines	Dimensions width (in)	Height (in)	Length (in)	Load capacity (lbs)
A	Standard	2	4	1.50	46	6000
B	Block	6 tines instead of 2 tines	2	1.50	47	6000
C	Offset	Bracket is welded to the tine back in an offset of 6 inches to the lower end of the tine	4	1.50	46	6000
D	Roofers	Thinner tines with lower load capacity	2	4	1.25	4500

Accessories

Type	Description
KM 460 1100	protection trellis for loads up to 4400 lbs (43 x 43 in, height 59 in)
KM 460 1300	protection trellis for loads up to 4400 lbs (51 x 51 in, height 59 in)
KM 460 01	protection chain for loads up to 4400 lbs, for securing loads like shrink wrapped stone stacks to be lifted high above ground backstop for supporting unbalanced loads
KM 04 S	shaft rotator for controlling the rotation and placement of load
KM 460 03	rigid suspension link with pin – for rotators up to 9900 lbs capacity
KM 460 04	non rotating hook – for rotators up to 9900 lbs capacity
KM 04 F	flange rotator for controlling the rotation and placement of the load
	flange adapter for KM 04 F

Technical Drawings



<https://www.worktruckoutfitters.com> 877.256.8665